



PRECISION CAISSON GAUGES SERIES 2564



IMPORTANT FEATURES FOR DIVING INDUSTRY

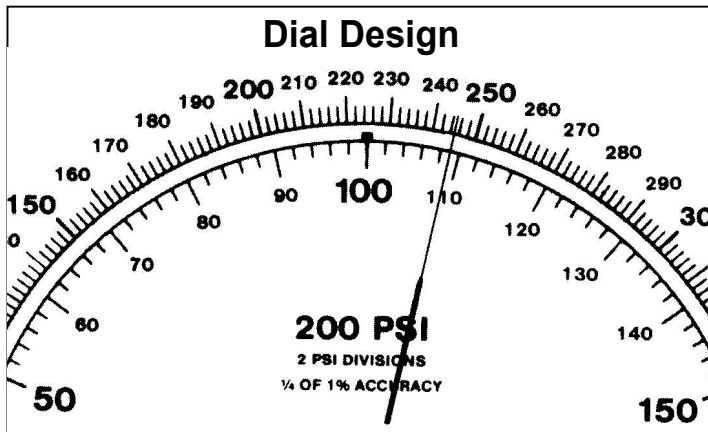
A GAUGE HAVING THE PRESSURE ELEMENT ENCLOSED WITHIN A SEALED CHAMBER PROVIDING A FIXED REFERENCE SO THAT THE GAUGE INDICATES PRESSURE RELATIVE TO THIS REFERENCE PRESSURE DATUM.

THE "CAISSON" APPLICATION IS WHERE THE GAUGE IS EXPOSED TO WATER PRESSURE WITH THE GAUGE BEING IN THE AMBIENT CAISSON ATMOSPHERE. THE GAUGE READING WILL THEN ALWAYS BE RELATIVE TO THE DATUM PRESSURE.

The 3D Caisson Gauge employs an exclusive magnetic coupling. This magnetic coupling permits the pressure element to drive the pointer through the sealed chamber wall, without shaft seals. This coupling is "direct" in the sense that the drive is positive within the accuracy tolerance of the gauge. By employing this unique magnetic coupling the capsule can be sealed hermetically without adding friction error.

HIGH ACCURACY WITH STABILITY

Accuracy of 1/4 of 1% is certified for all Model 2564 Series Caisson Gauges throughout all dial points for both increasing and decreasing pressures.



Dial and pointer design reduce operator error and Fatigue. A mirror band eliminates parallax error. A black hairline pointer extends over a small section of the calibration marks to eliminate ambiguous readings

Series 2564

The 3D Caisson Gauge is available in the following models for the Diving Industry

Dial Sizes	6, 8.5 and 12 inches
Connection Locations	at back or at bottom

Dual Scale Ranges

100 psi/230 feet of seawater
150 psi/350 feet of seawater
200 psi/450 feet of seawater
300 psi/700 feet of seawater
500 psi/1100 feet of seawater
600 psi/1400 feet of seawater
750 psi/1700 feet of seawater
1000 psi/2300 feet of seawater

Minor Graduations

5 psi and 1 foot
5 psi and 2 feet
2 psi and 2 feet
1 psi and 2 feet
2 psi and 2 feet
2 psi and 4 feet
2 psi and 4 feet
5 psi and 10 feet

These ranges are also available in feet of seawater only, meters of seawater only, or dual scale ranges meters of seawater/feet of seawater

**MODIFICATION CODES
FOR
FEET OF SEA WATER/METER SEA WATER DIALS**

DASH (-) NO.	FEET OF SEA WATER	METER SEA WATER	MOD CODE
-21	70 FSW/ .2 ft div.	20 MSW/ .1 mtr. div.	HDW
-22	140 FSW/ .4 ft div.	40 MSW/ 2 mtr. div.	HDC
-23	230 FSW/ 1 ft div.	70 MSW/ 25 mtr. div.	HDD
-24	300 FSW/ 1 ft div.	90 MSW/ 5 mtr. div.	HED
-24	350 FSW/ 1 ft div.	100 MSW/ 5 mtr. div.	HDF
-25	450 FSW/ 2 ft div.	140 MSW/ 5 mtr. div.	HDG
-26	700 FSW/ 2 ft. div.	200 MSW/ 1 mtr. cflv.	HDH
-27	1200 FSW/ 2 ft div.	360 MSW/ 1 mtr. div.	HDJ
-28	1400 FSW/ 4 ft div.	400 MSW/ 2 mtr. div.	HDK
-28	1700 FSW/ 2 ft div.	520 MSW/ 1 mtr. div.	HEB
-28	1700 FSW/ 4 ft div.	520 MSW/ 2 mtr. div.	HDL
-29	2300 FSW/ 10ft div	700 MSW/ 2 mtr. div.	HDM

DUAL SCALE PSI AND FEET OF SEA WATER

DASH (-) NO.	PSI	FEET OF SEA WATER	MOD CODE
-22	60/.2 PSI div.	140 FSW/ .4 ft div.	HBC
-23	100/.5 PSI div.	230 FSW/1. ft div.	HBD
-24	150/.5 PSI div.	350 FSW/2. ft div.	HBF
-25	200/2. PSI div.	460 FSW/1. ft div.	HCC
-25	200/2. PSI div.	450 FSW/2. ft div.	HBG
-26	300/1. PSI div.	700 FSW/2. ft d1v.	HBH
-27	500/2. PSI div.	1100 FSW/2. ft div.	HCA
-28	600/2. PSI div.	1400 FSW/2. ft div.	HCF
-28	600/2. PSI div.	1400 FSW/4. ft div.	HBK
-28	750/2. PSI div.	1700 FSW/2. ft div.	HCB
-28	750/2. PSI div.	1700 FSW/4. ft div.	HBL
-29	1000/5. PSI div.	2300 FSW/10. ft. div.	HBM
-31	1500/5. PSI div..	3500 FSW/10. ft div	HCJ

FEET OF SEA WATER ONLY

DASH (-) NO.	FEET OF SEA WATER	MOD CODE
-21	70 FSW/.2 ft. div.	CDB
-22	140 FSW/ .4 ft. div.	CBC
-23	230 FSW/ 1 ft. div.	CBD
-23	250 FSW/ 1 ft. div.	CBE
-24	300 FSW/ 1 ft. div.	CCG
-24	350 FSW/ 2 ft. div.	CBF
-25	450 FSW/ 1 ft. div.	CCC
-25	450 FSW/ 2 ft. div.	CBG
-26	500 FSW/ 2 ft. div.	CCT
-46	600 FSW/ 1 ft. div.	CCL
-26	700 FSW/ 2 ft. div.	CBH
-27	1100 FSW/ 2 ft. div.	CCA
-27	1200 FSW/ 2 ft. div.	CBJ
-28	1400 FSW/ 4 ft. div.	CBK
-28	1700 FSW/ 2 ft. div.	CCB
-28	1700 FSW/ 4 ft. div.	CBL
-29	2300 FSW/10 ft. div.	CBM
-31	3500 FSW/10 ft. div.	CCJ

**Depth and
Pneumo Gauges
Series 2554 and 2555**

3D Diving Gauges have a number of unique features: Consider high accuracy, virtually permanent calibration, long life under adverse conditions, high sensitivity to pressure changes and human engineered dials.

Ordering Information

The modification code is added to the end of the part number. Example: 25546-23B1 1 -HBD =

2554 Dial pressure gauge, 1/4 of 1% accuracy F.S.
6 - Size of dial - 8 1/2"
-23 - 100 PSI (relative)
B - 1/4" NPT - male fitting
11 Front flange, bottom conn., black case
-HBD - Dial face, dual scale 100 PSI x 230 FSW

(Note: On dual scale dials, PSI reading is inside, FSW is outside.)
• Dash number relates to relative PSI coil used in gauge.

Your local 3D Instrument distributor:



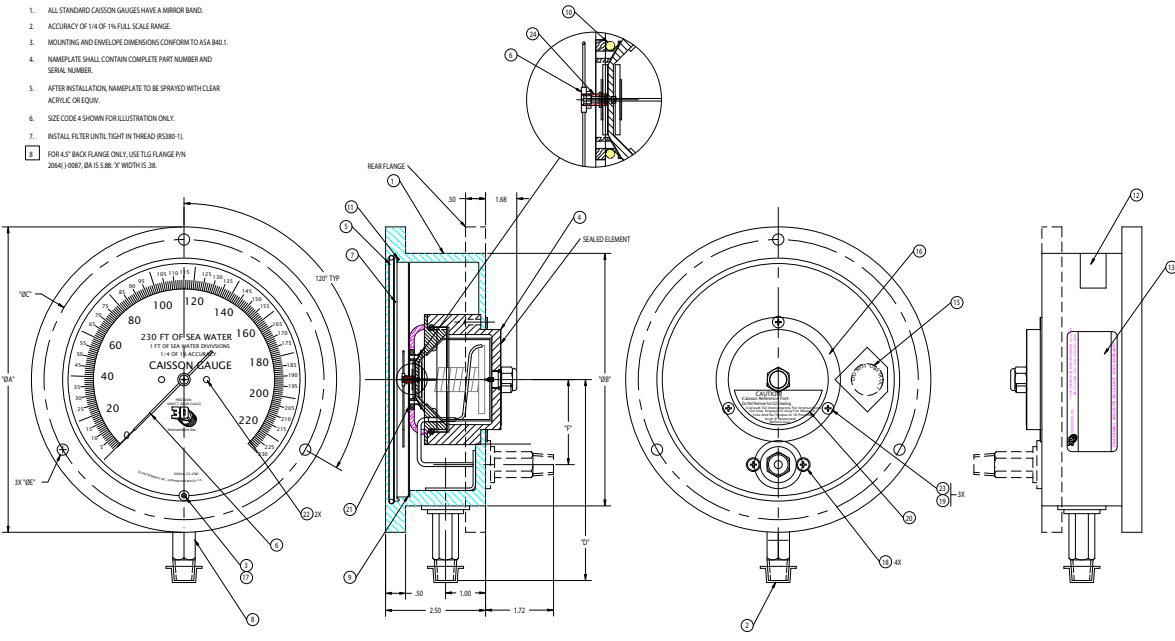
15542 Chemical Lane, Huntington Beach, CA 92649
Phone: (714) 894-5351 * FAX: (714) 895-4309

THE INFORMATION CONTAINED HEREIN IS UNCLASSIFIED BY ACTION OF THE PROPERTY OF 2230 BAYVIEW BLVD., SUITE 200, SAN DIEGO, CALIF. 92161
 MILITARY USAGE, USE, AND DISSEMINATION IS UNRESTRICTED UNLESS INDICATED OTHERWISE
 ALL RIGHTS RESERVED, USE, AND DISSEMINATION IS UNRESTRICTED UNLESS INDICATED OTHERWISE

REVISONS		DATE	BY
A	NEW RELEASE	03-07-00	TOM

NOTES UNLESS OTHERWISE SPECIFIED

- ALL STANDARD CAISSON GAUGES HAVE A MIRROR BAND.
- ACCURACY OF 1/4 OF 1% FULL SCALE RANGE.
- MOUNTING AND ENVELOPE DIMENSIONS CONFORM TO ASA 86.1.
- NAMERPLATE SHALL CONTAIN COMPLETE PART NUMBER AND SERIAL NUMBER.
- AFTER INSTALLATION, NAMERPLATE TO BE SPRAYED WITH CLEAR ACRYLIC OR EQUIV.
- SIZE CODE 4 SHOWN FOR ILLUSTRATION ONLY.
- INSTALL FILTER UNTIL TIGHT IN THREAD (MS38D-1).
- FOR 4.5" BACK FLANGE ONLY, USE FLANGE PIN 2064-1-0087, DIA IS 5.86" X" WIDTH IS .58.



2564X-XXXXXXXX

CLASSIFIER: 6-CAISSON
 ACCURACY: SEE NOTE 1

DIMENSIONS				SIZE			PRESSURE CODES			CONNECTION		ENCLOSURE CONFIGURATION												
ØA ±.030	ØB ±.030	ØC ±.030	D ±.030	ØE	F ±.030	CODE NO.	SCALE (INCHES)	CODE NO.	PRESSURE (PSIG)	CODE NO.	DESCRIPTION	CODE NO.	MOUNTING	FITTING			COLOR							
														FRONT	BACK	NONE	BLACK	BOTTOM	GREEN	RED	YELLOW	NYLON		
6.00	4.83	5.37	5.03	22	1.54	4	4.5	21	30	A	1/8 NPT MALE	1X	X				X	X	1	2	3	4	*	
7.63	6.31	7.00	5.77	28	2.13	5	6	22	60	B	1/4 NPT MALE	2X	X				X	X	1	2	3	4	*	
10.20	8.81	9.63	7.03	28	2.13	6	8.5	23	100	C	1/2 NPT MALE	3X	X	X			X	X	1	2	3	4	*	
14.13	12.50	13.50	8.87	28	2.13	7	12	24	150	D	1/8 NPT FEMALE	4X	X	X	X		X	X	1	2	3	4	*	
								25	200	E	1/4 NPT FEMALE	5X		X	X	X		X	X	1	2	3	4	**
								26	300	F	1/2 NPT FEMALE	6X		X	X	X		X	X	1	2	3	4	**
								27	500	G	MS33649-4													
								28	600	H	MS33656-4													
								29	1000	K	1/4 AMCO FEMALE													
								31	1500	M	MS3514-4													
								32	2000	Y	MIL-1-18997-1													
								33	3000															
								45	160															

REV	DESCRIPTION	QTY
24	4125 0005	OUTER MAGNET ASSEMBLY
23	2154 0001 47	SCREW 8 3/32 X 1/2 PAN HD ZINC
22	2146 0001 5	PIVET WORM
21	2145 0003 3	DIAL SUPPORT BRG CAISSON
20	2124 0007	LABEL WARNING
19	2196 0007 10	WASHER HD
18	2154 0002 2	SCREW 5/16 X 1/4 PAN B 8 3/16
17	2152 0046	DIAL SEAL DRIVE
16	2145 0005	CLAMPING RING CAISSON
15	2124 0001	LABEL BLOWOUT
14	2124 0002	CALIBRATION LABEL
13	2124 0003	IDENTIFICATION LABEL
12	2124 0008	NAMERPLATE CLEANED
11	2072 0000 1	GASOL. INDOOR
10	2036 0004	CLIP RETAINING BRG HARPEN
09	2047 0001 4	DIAL BLANK 1.2 INCH
08	2047 0001 3	DIAL BLANK 6.0 INCH
07	2047 0001 2	DIAL BLANK 8.0 INCH
06	2047 0001 1	DIAL BLANK 4.5 INCH
05	4963 8000 1 C	FITTING ASSEMBLY 1/8 INCH BOTTOM 4.5
04	4963 8027 3	FITTING ASSEMBLY 1/2 INCH BOTTOM 8.5 AND 12
03	4963 8027 2	FITTING ASSEMBLY 1/2 INCH BOTTOM 6
02	4963 8027 1	FITTING ASSEMBLY 1/2 INCH BOTTOM 3
01	4963 8022 3	FITTING ASSEMBLY 1/4 INCH BOTTOM 8.5 AND 12
00	4963 8022 2	FITTING ASSEMBLY 1/4 INCH BOTTOM 6
00	4963 8022 1	FITTING ASSEMBLY 1/4 INCH BOTTOM 3
00	4963 8022 0	FITTING ASSEMBLY 1/4 INCH BOTTOM 0.8
0A	4963 8022 1	FITTING ASSEMBLY 1/4 INCH BACK
0D	2045 0012	CRYSTAL 12.0 INCH
0C	2045 0009	CRYSTAL 6.0 INCH
0B	2045 0003	CRYSTAL 4.0 INCH
0A	2045 0001	CRYSTAL 3.0 INCH
00	4142 0005 4	POINTER ASSEMBLY 1.2 INCH
0C	4142 0005 3	POINTER ASSEMBLY 6.0 INCH
0B	4142 0005 2	POINTER ASSEMBLY 4.0 INCH
0A	4142 0005 1	POINTER ASSEMBLY 3.0 INCH
0D	2187 0000	SNAP RING 1.2 INCH
0C	2187 0000	SNAP RING 6.0 INCH
0B	2187 0001	SNAP RING 4.0 INCH
0A	2187 0000	SNAP RING 3.0 INCH
00	4400 0006	CAISSON BASE ASSEMBLY
00	2054 0006	DIAL DRIVE
20	2038 0061 C	FITTING CAR 1.2 INCH
2A	2038 0061 1	FITTING CAR 1/4 INCH
1E	3029 2000 0X	CASE 1.2 INCH BOTTOM BACK CONNECT
1D	3029 2000 0X	CASE 6.0 INCH BOTTOM BACK CONNECT
1C	3029 2000 0X	CASE 4.0 INCH BOTTOM CONNECT
1B	3029 2000 0X	CASE 4.0 INCH BOTTOM CONNECT
1A	3029 2000 0X	CASE 4.0 INCH BOTTOM CONNECT

QUANTITY BY POSITION	REVISED	DATE	DESIGNER
DRAWN BY: [Signature]	APPROVED BY: [Signature]	DATE: 03-07-00	
PARTS LIST		DESCRIPTION	
GUAGE - CAISSON ASSEMBLY			
D 52159		2564X-XXXXXX	